

Features

- LO & RF 2 TO 18 GHz
- IF 0.03 TO 5 GHz
- LO DRIVE +13 dBm (NOMINAL)
- WIDE BANDWIDTH

Description

MY82 is a triple balanced mixer, designed for use in military, commercial and test equipment applications. The design utilizes Schottky ring quad diodes and broadband soft dielectric baluns to attain excellent performance. The use of high temperature solder assembly processes used internally makes it ideal for use in manual, semi-automated assembly. Environmental screening available to MIL-STD-883, MIL-STD-202 or MIL-DTL-28837, consult factory.

Product Image



Ordering Information

| Part Number | Package |
|-------------|-------------------|
| MY82 | Versapac |
| MY82C | SMA Connectorized |

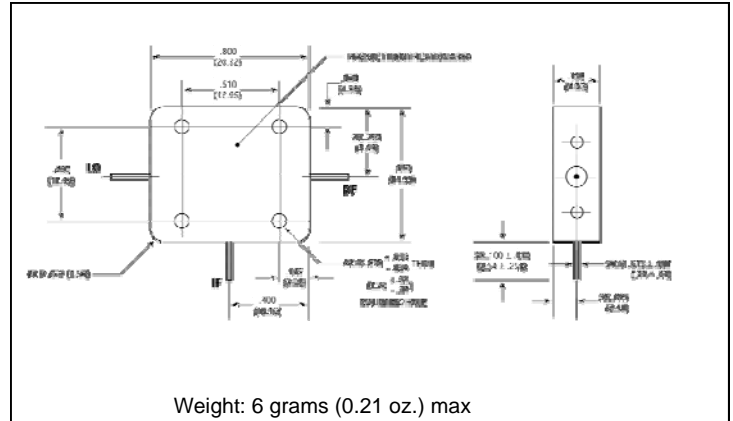
Electrical Specifications: $Z_0 = 50\Omega$ $Lo = +13$ dBm (Downconverter Application only)

| Parameter | Test Conditions | Units | Typical | Guaranteed | |
|--|---|------------|---------|------------|---------------|
| | | | | +25°C | -54° to +85°C |
| SSB Conversion Loss (max) & SSB Noise Figure (max) | fR = 2 to 18 GHz, fL = 2 to 18 GHz, fl = 0.03 to 2 GHz fR = 2 to 18 GHz, fL = 2 to 18 GHz, fl = 2 to 5 GHz | dB dB | 7.5 | 9.0 | 9.5 |
| | | | 8.0 | 10.5 | 11.0 |
| Isolation, L to R (min) | fL = 2 to 3 GHz fL = 3 to 18 GHz | dB dB | 20 | 16 | 14 |
| | | | 30 | 18 | 16 |
| Isolation, L to I (min) | fL = 2 to 18 GHz | dB | 30 | 20 | 18 |
| 1 dB Conversion Comp. | fL = +13 dBm | dBm | +6 | | |
| Input IP3 | fR1 = 6 GHz at -3 dBm, fR2 = 6.01 GHz at -3 dBm, fL = 8 GHz at +13 dBm fR1 = 15 GHz at -3 dBm, fR2 = 15.01 GHz at -3 dBm, fL = 18 GHz at +13 dBm | dBm dBm | +18 | | |
| | | | +19 | | |

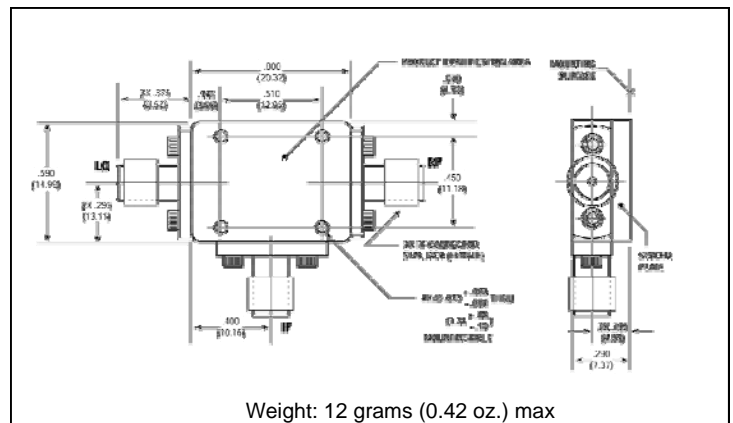
Absolute Maximum Ratings

| Parameter | Absolute Maximum |
|-----------------------|---|
| Operating Temperature | -54°C to +100°C |
| Storage Temperature | -65°C to +100°C |
| Peak Input Power | +26 dBm max @ +25°C +23 dBm max @ +100°C |
| Peak Input Current | 100 mA DC |

Outline Drawing: Versapac *



Outline Drawing: SMA Connectorized *



* Dimensions are inches (millimeters) ± 0.015 (0.38) unless otherwise specified.